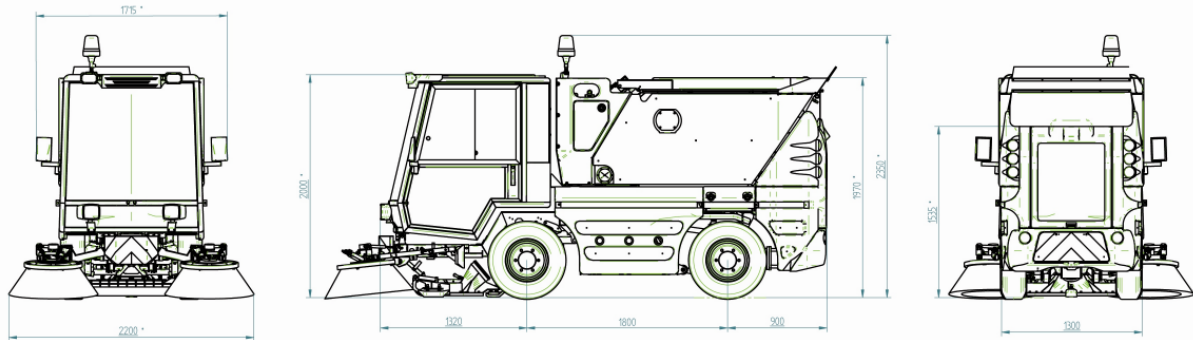


Technical Data
SCHMIDT Compact Sweeper Swingo 200



Dimensions

Height with beacon	2,270 mm	Wheelbase	1,800 mm
Height without beacon	1,995 mm	Track front and rear	1,053 mm
Length with brushes	4,550 mm	Hopper discharge height	1,400 mm
Width with brushes	1,400 mm	Hopper discharge angle	55°
Width without brushes	1,300 mm	Brush diameter	850 mm

Weights

Unladen (Basic Equipment)	2,750 kg	Payload	ca. 1,500 kg
GVW	4,250 kg	GVW (Option)	3,500 kg

Capacities

Fuel tank	64 l	Re-circulation water tank	190 l
Hydraulic oil tank	42 l	Hopper gross volume	2.0 m ³
Fresh water tank	190 l		

Performance Data

Transit speed (max.)	25/40/50 km/h	Brush speed	0 - 100 rpm
Sweeping speed (max.)	12 km/h	Sweeping width	1,400 - 2,500 mm
Fan speed (max.)	3,300 rpm	Kerbstone climbing (max.)	200 mm
Airflow (max.)	8,640 m ³ /h	Gradeability (sweeping)	25 %
Water column (hopper)	450 mm H ₂ O	Power noise level L _{wa}	106 dB, cab 74 dB

Steering

Steering angle (front)	48°
Steering angle (rear)	24°

Turning Circle Diameter

Wall to wall	7,200 mm
Kerb to kerb	4,750 mm
Inner diameter	2,300 mm

Tyres

Front and rear	215 R 14
Ground pressure	40 N/cm ²

Axle Loads

Front	1,800 kg
Rear	2,450 kg

Engine

VM R754 EU 4	Diesel turbo-charged, 4-cyl, liquid-cooled
Capacity	2,970 cm ³
Exhaust emission	Euro 4 (includes closed particle filter)
Engine power (max.)	62 kW @ 2,300 rpm
Torque (max.)	270 Nm @ 1,350 rpm
Sweeping rpm - range	1,600 - 2,100 rpm